

Project Name: \_\_\_\_\_  
 Location: \_\_\_\_\_  
 Engineer: \_\_\_\_\_  
 Submitted to: \_\_\_\_\_  
 Submitted by: \_\_\_\_\_  
 Reference: \_\_\_\_\_

Approval: \_\_\_\_\_  
 Date: \_\_\_\_\_  
 Construction: \_\_\_\_\_  
 Unit #: \_\_\_\_\_  
 Drawing #: \_\_\_\_\_

## Performance

*Indoor Unit Model No:* FCQ18PAVJU  
*Outdoor Unit Model No:* RZQ18PVJU9  
*Rated Cooling Capacity (Btu/hr):* 18000  
*Sensible Capacity (Btu/hr):* 14100  
*Max/Min Cooling Capacity (Btu/hr / kW):* databook/databook  
*Cooling Input Power (kW):* 1.82  
*SEER:* 17.2  
*Rated Heating Capacity (Btu/hr):* 20000  
*Max/Min Heating Capacity (Btu/hr / kW):* databook/databook  
*Heating Input Power (kW):* 1.82  
*Heating COP (Btu/hr / Btu/hr):* N/A  
*HSPF:* 10.1

*Indoor Unit Type:* Round Flow Cassette  
*Condensing Unit Type:* SkyAir Heat Pump  
*Rated Cooling Conditions*  
 Indoor: 80°F DB/67°F WB  
 Outdoor: 95°F DB/75°F WB  
*Rated Heating Conditions*  
 Indoor: 70°F DB/60°F WB  
 Outdoor: 47°F DB/43°F WB  
*Rated Piping Length(ft)* 25  
*Rated Height Separation(ft)* 0

## Indoor Unit Details

*Power Supply (V/Hz/Ph):* 208-230/60/1ph  
*Power Supply Connections:* L1, L2, Ground  
*Min Circuit Amps MCA (A):* 0.4  
*Max Overcurrent Amps MFA (A):* 15  
*Dimensions (HxWxD):* 9-11/16x33-1/16x33-1/16  
*Panel (HxWxD):* 2x37-3/8x37-3/8  
*Net Weight (lbs):* 43  
*Weight with Panel (lbs):* 55.2

*Airflow Rate (CFM wet coil)* 560/470/390  
*Moisture Removal (pt/h):* \_\_\_\_\_  
*Gas Pipe Connection (inch):* 5/8  
*Liquid Pipe Connection (inch):* 3/8  
*Condensate Connection (inch):* 1  
*Sound Pressure Level (dBA):* 32  
*Sound Power Level (dBA):* 27  
*Static Pressure Rated/Max (inWg)* 0 / 0/0

## Condensing Unit Details

*Power Supply (V/Hz/Ph):* 208-230/60/1ph  
*Power Supply Connections:* L1, L2, Ground  
*Min. Circuit Amps MCA (A):* 16.5  
*Max. Overcurrent Amps MFA (A):* 20  
*Max. Starting Current MSC(A):* \_\_\_\_\_  
*Rated Load Amps RLA (A):* 7.1  
*Dimensions (HxWxD):* 30-5/16x35-7/16x12-5/8  
*Net Weight (lbs):* 150

*Compressor Type:* Inverter  
*Capacity Control Range (%):* 35 - 100  
*Airflow Rate (CFM):* 1835  
*Gas Pipe Connection (inch):* 5/8  
*Liquid Pipe Connection (inch):* 3/8  
*Sound Pressure Level (dBA):* 49  
*Sound Power Level (dBA):* \_\_\_\_\_

## System Details

*Refrigerant Type:* R-410A  
*Holding Refrigerant Charge (lbs):* 5.1  
*Additional Charge (oz/ft):* 0.036lbs/ft  
*Pre-charge Piping (Length ft):* -  
*Max. Pipe Length (Total ft):* 164 ft

*Max. Pipe Length (Vertical ft):* 98 ft  
*Cooling Operation Range (°F):* 23 - 115  
*Cooling Range w/Baffle (°F):* 0 - 115  
*Heating Operation Range (°F):* 0 - 77  
*Heating Range w/Baffle (°F):* 0 - 77

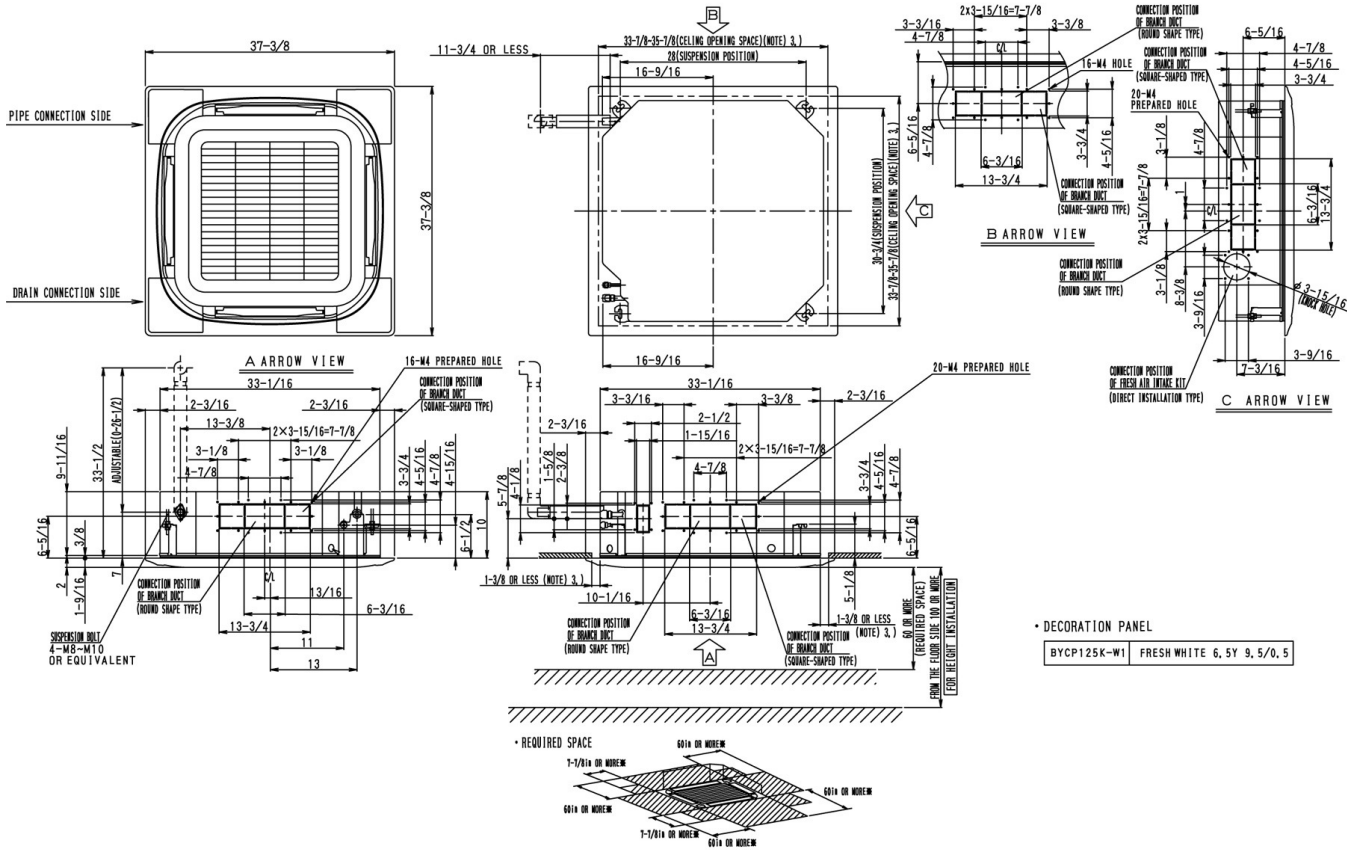
Project Name: \_\_\_\_\_  
 Location: \_\_\_\_\_  
 Engineer: \_\_\_\_\_  
 Submitted to: \_\_\_\_\_  
 Submitted by: \_\_\_\_\_  
 Reference: \_\_\_\_\_

Approval: \_\_\_\_\_  
 Date: \_\_\_\_\_  
 Construction: \_\_\_\_\_  
 Unit #: \_\_\_\_\_  
 Drawing #: \_\_\_\_\_

**Dimensional Drawing - Indoor Unit**

FCQ18PAVJU

FCQ18PAVJU  
 Unit (in.)

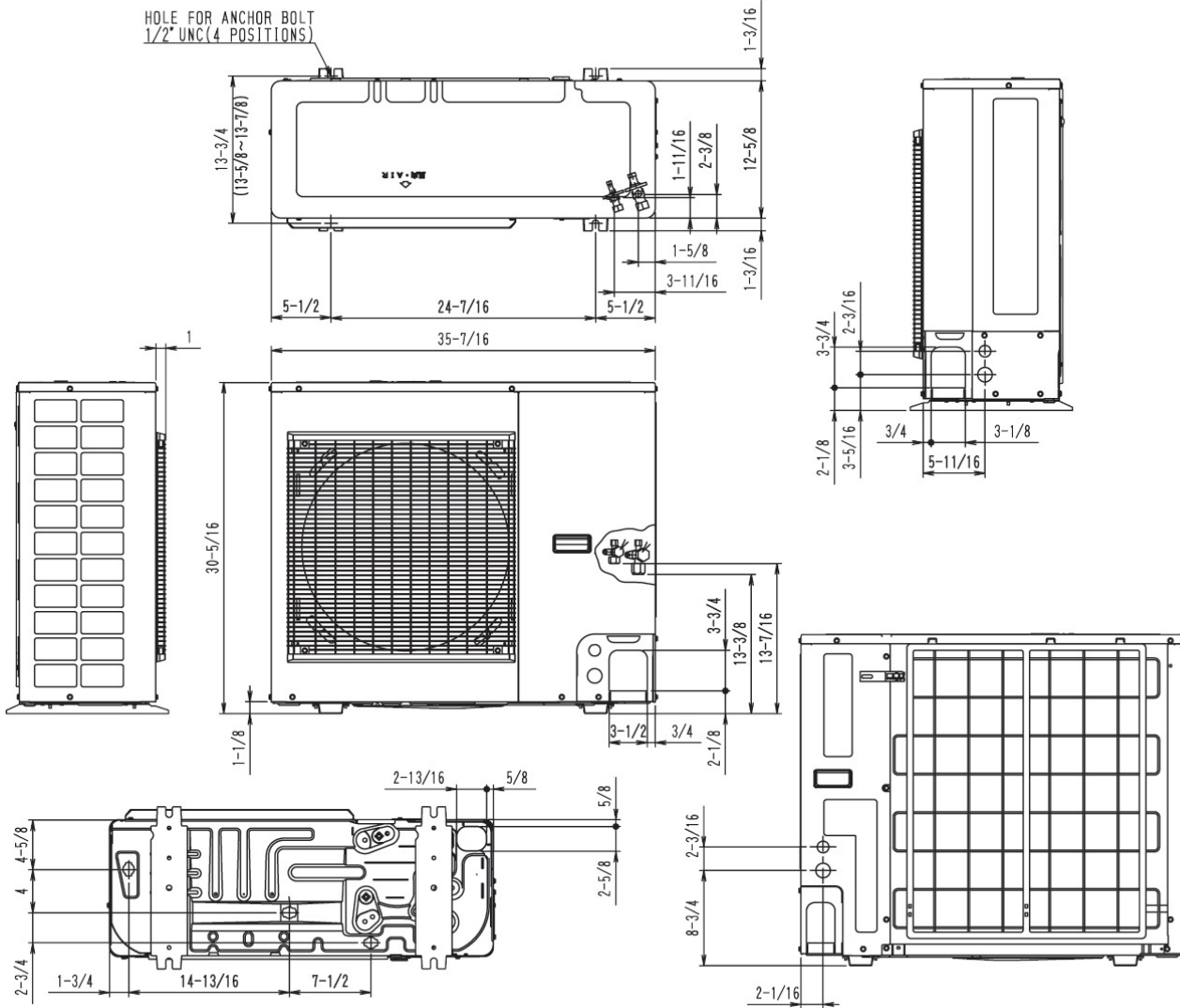


Project Name: \_\_\_\_\_  
 Location: \_\_\_\_\_  
 Engineer: \_\_\_\_\_  
 Submitted to: \_\_\_\_\_  
 Submitted by: \_\_\_\_\_  
 Reference: \_\_\_\_\_

Approval: \_\_\_\_\_  
 Date: \_\_\_\_\_  
 Construction: \_\_\_\_\_  
 Unit #: \_\_\_\_\_  
 Drawing #: \_\_\_\_\_

**Dimensional Drawing - Condensing Unit**

RZQ18PVJU9



Project Name: \_\_\_\_\_  
 Location: \_\_\_\_\_  
 Engineer: \_\_\_\_\_  
 Submitted to: \_\_\_\_\_  
 Submitted by: \_\_\_\_\_  
 Reference: \_\_\_\_\_

Approval: \_\_\_\_\_  
 Date: \_\_\_\_\_  
 Construction: \_\_\_\_\_  
 Unit #: \_\_\_\_\_  
 Drawing #: \_\_\_\_\_

**FCQ18PAVJU**



**RZQ18PVJU9**



**FCQ18PAVJU**

Std U.S. Warranty: 7yrs Compressor, 5yrs Parts

**RZQ18PVJU9**

Std U.S. Warranty: 7yrs Compressor, 5yrs Parts